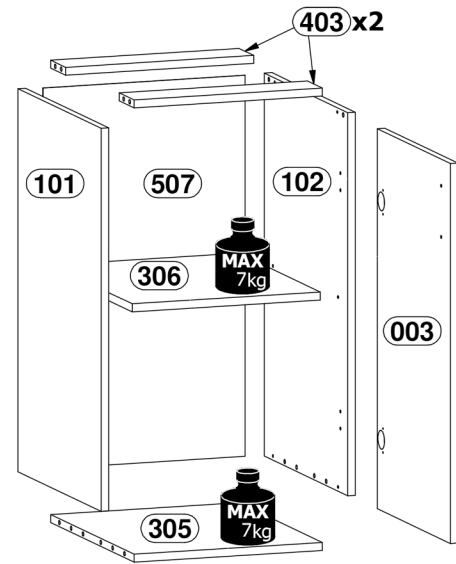
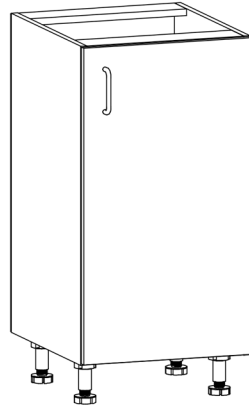
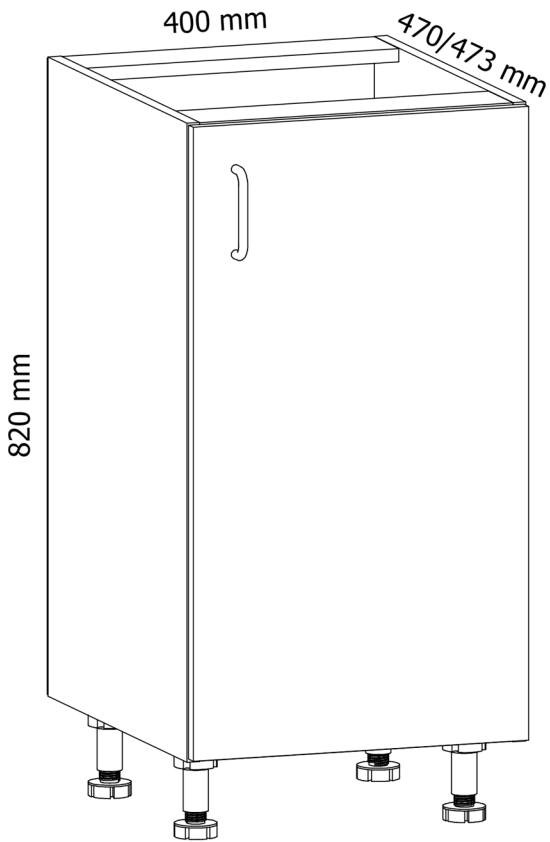


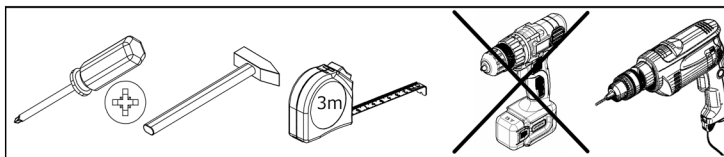
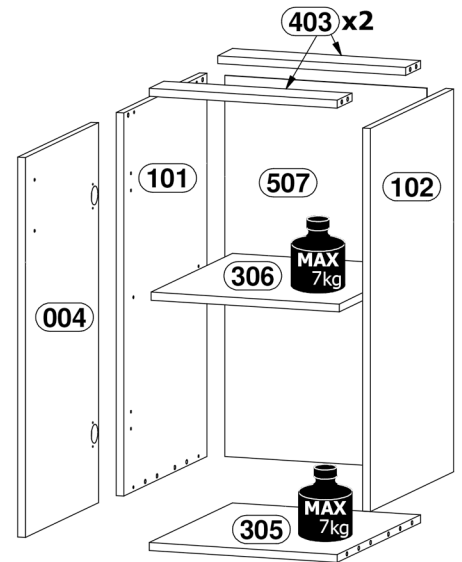
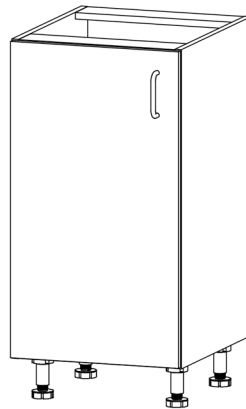
# D40

# S40

## D40(P) / S40

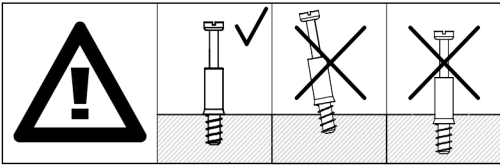
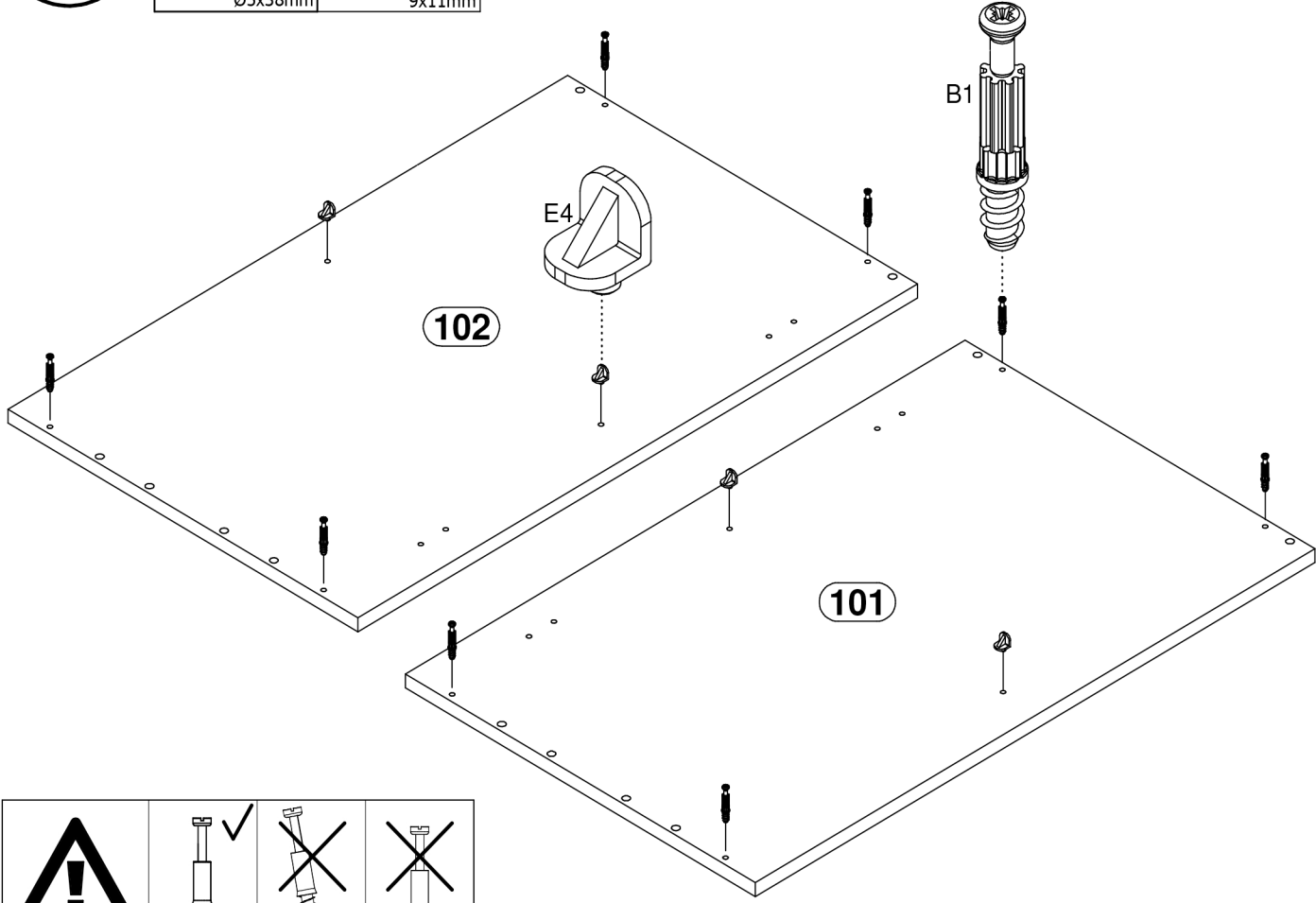
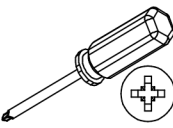
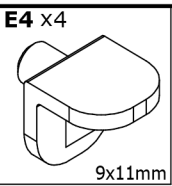
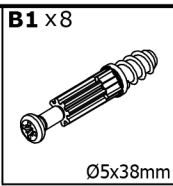


## D40(L)

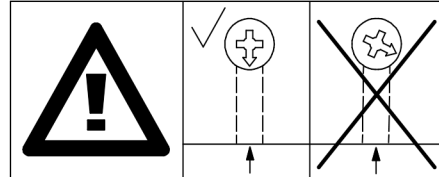
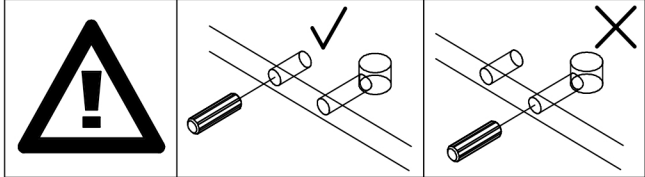
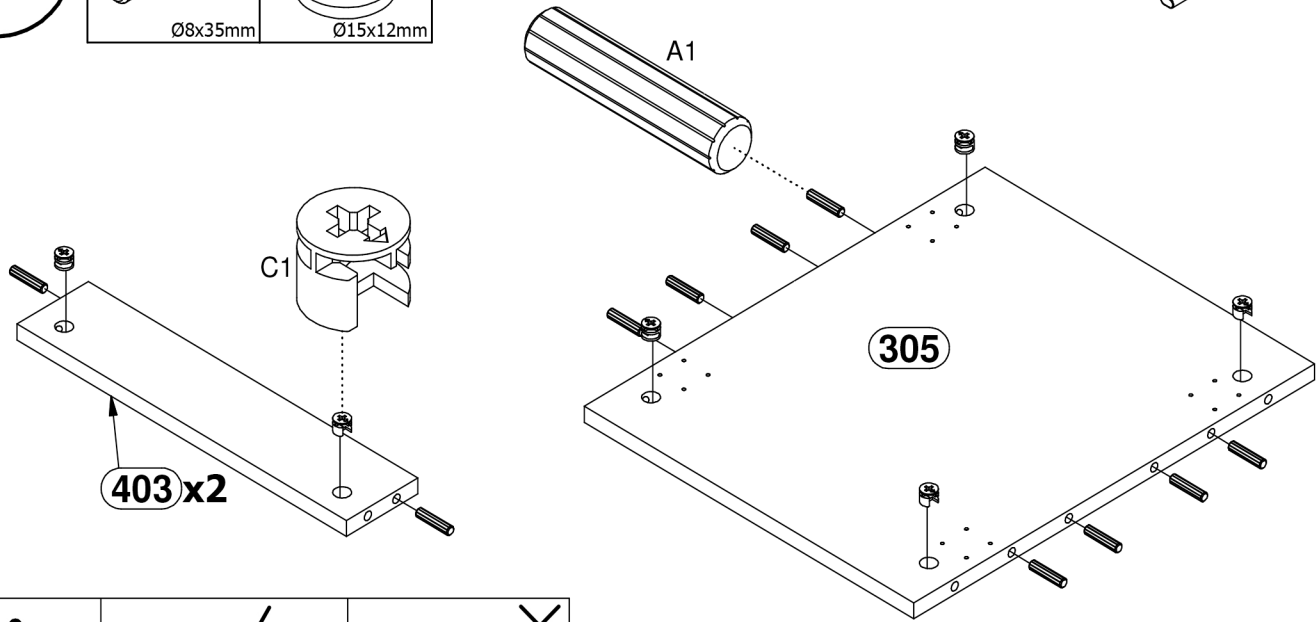
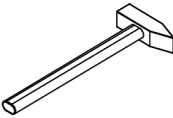
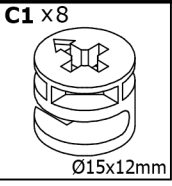
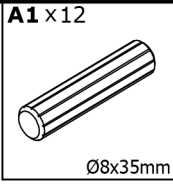


<b>A1</b> x12  Ø8x35mm	<b>B1</b> x8  Ø5x38mm	<b>C1</b> x8  Ø15x12mm	<b>E4</b> x4  9x11mm	<b>G1</b> x22  26mm
<b>L1</b> x4  Ø50x95mm	<b>U</b> x1 	<b>W2</b> x20  Ø3,5x16mm	<b>X</b> x2 	<b>Zc1</b> x2 
<b>Zc2</b> x2 				

**1**

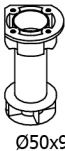


**2**



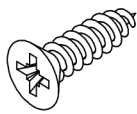
**3**

L1 x 4

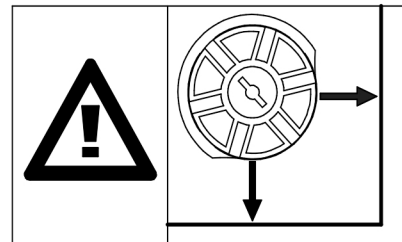
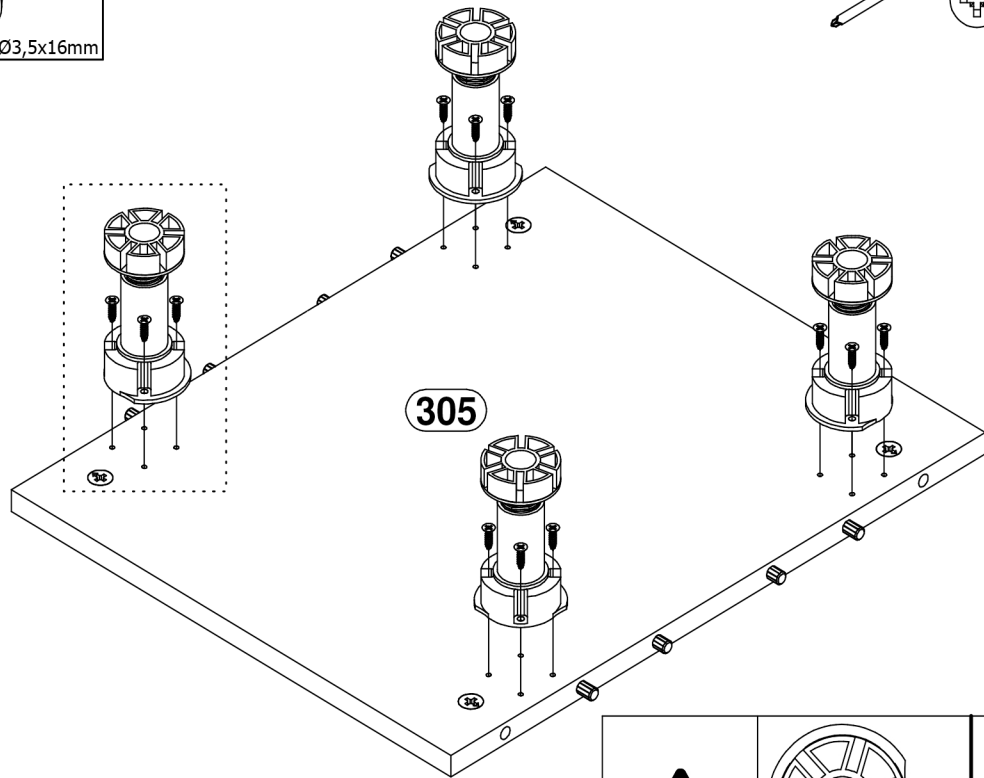
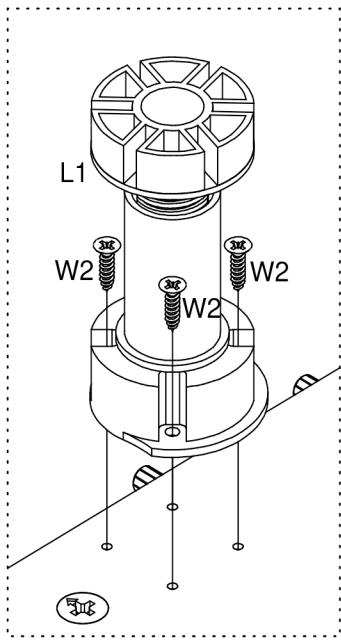
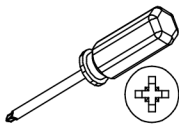


Ø50x95mm

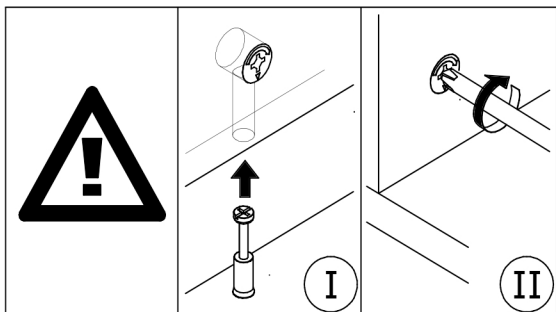
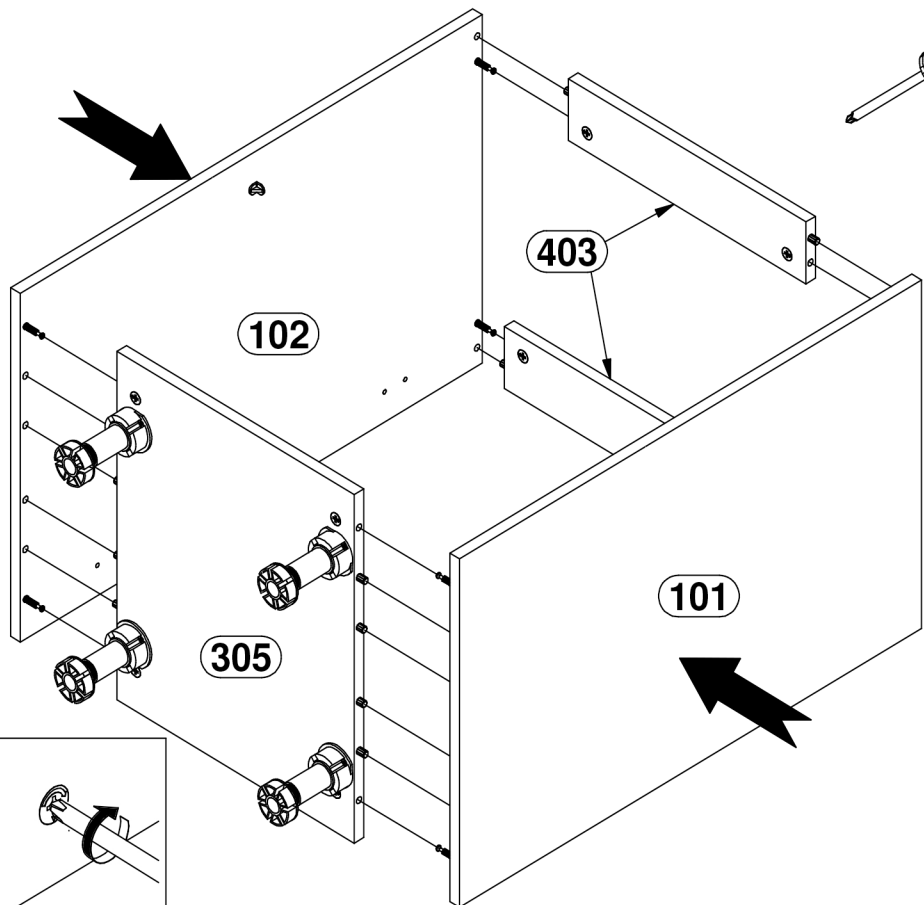
W2 x 16



Ø3,5x16mm

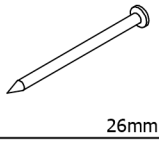


**4**

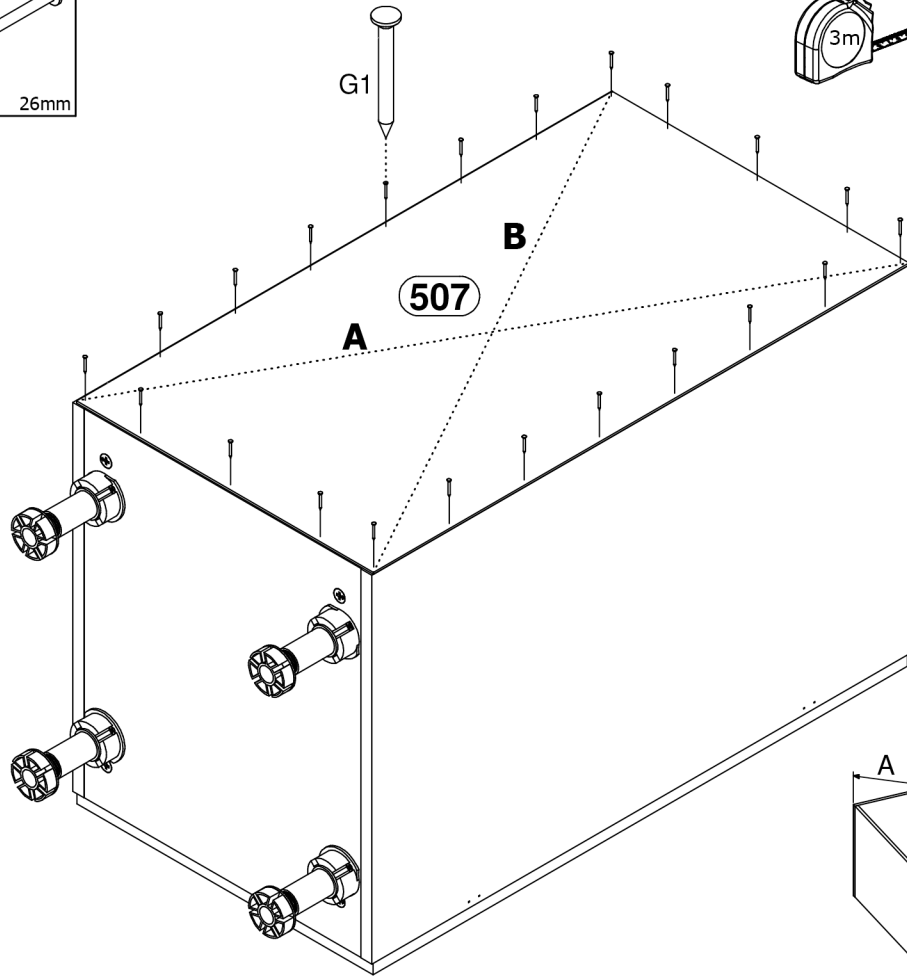
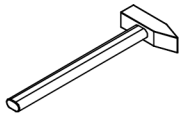
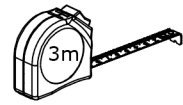


5

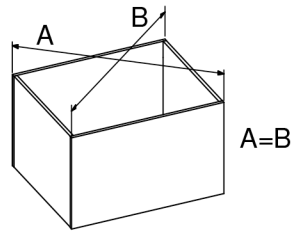
G1 x 22



26mm

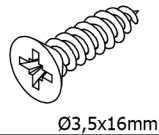


A=B ≡ 90°



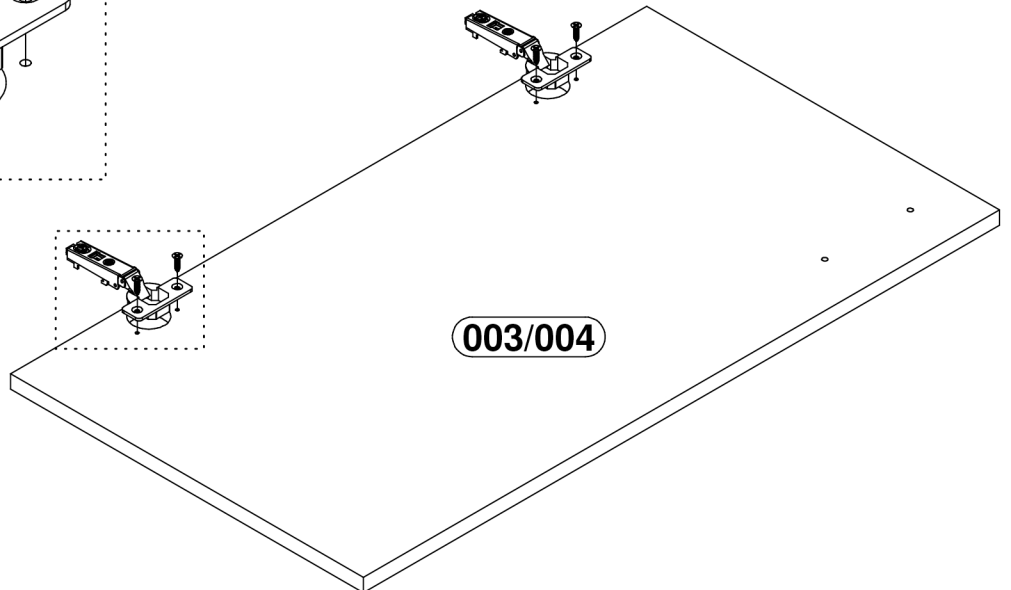
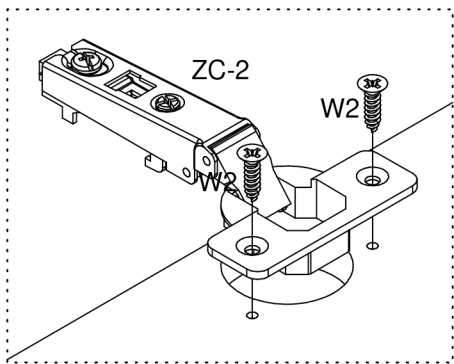
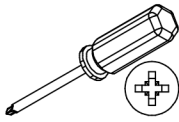
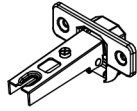
6

W2 x 4



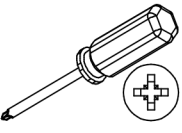
Ø3,5x16mm

Zc2 x 2

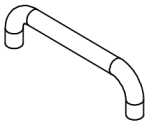




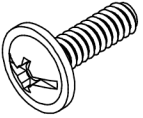
# 7



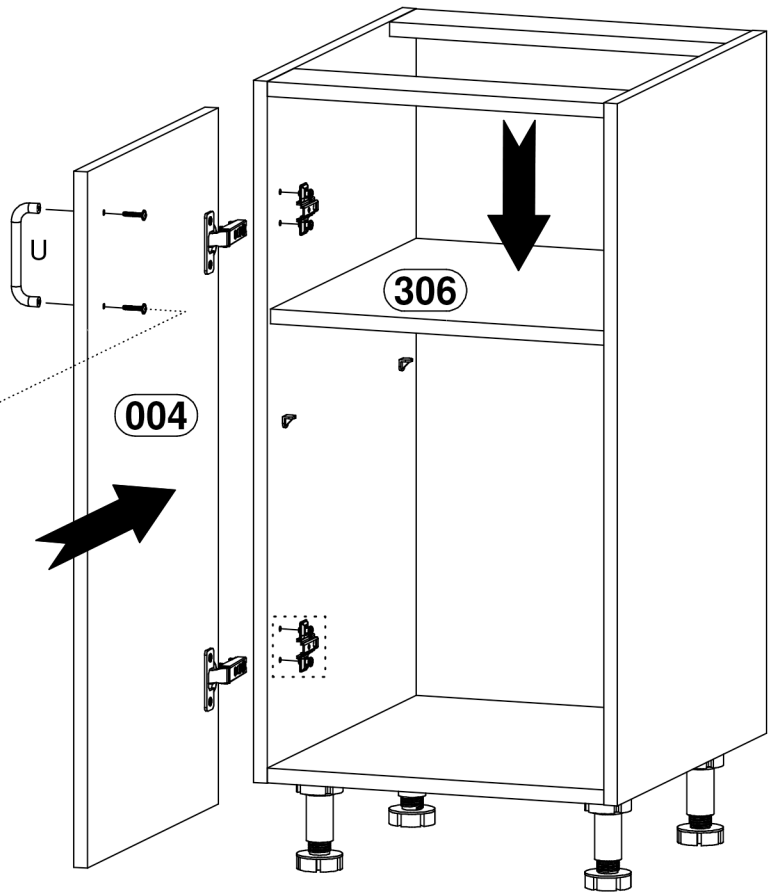
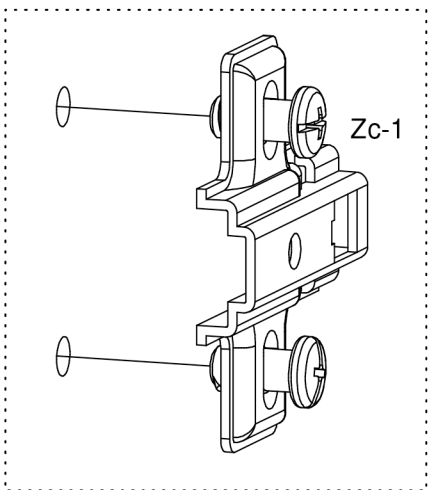
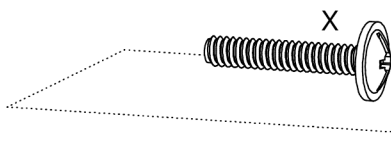
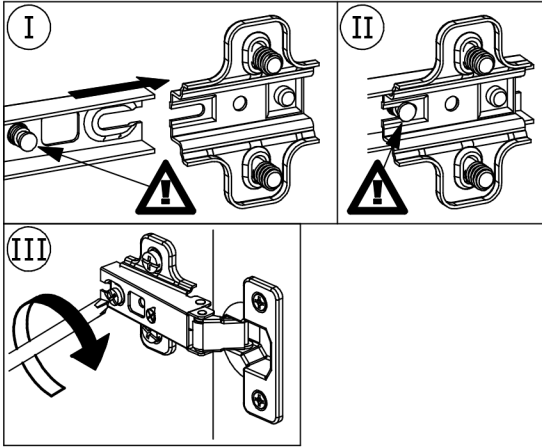
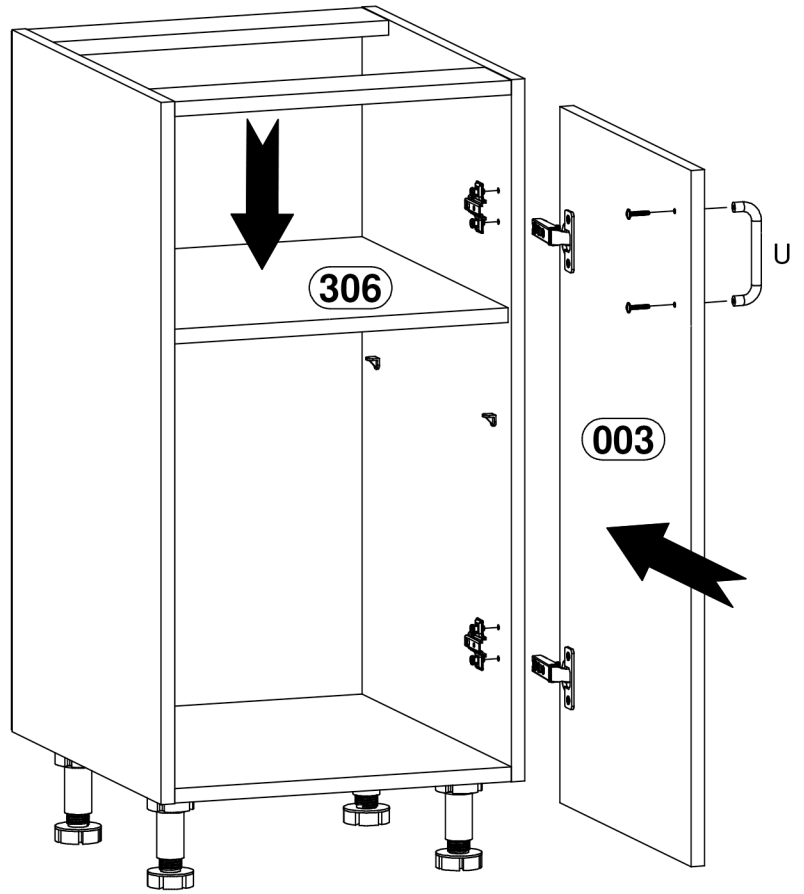
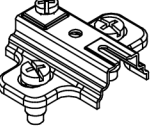
U x 1



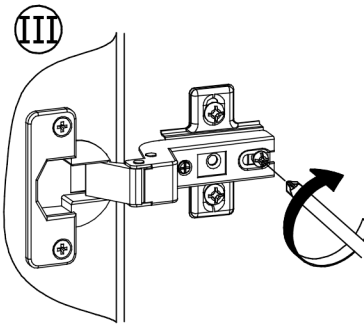
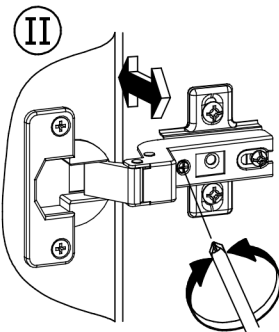
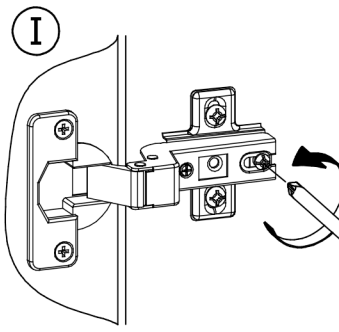
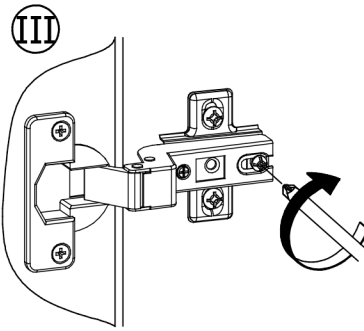
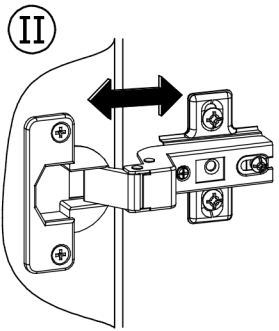
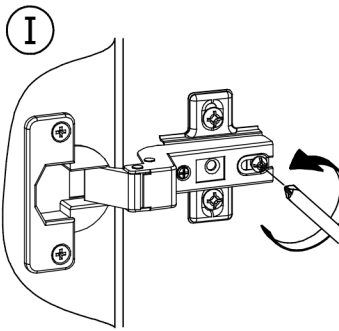
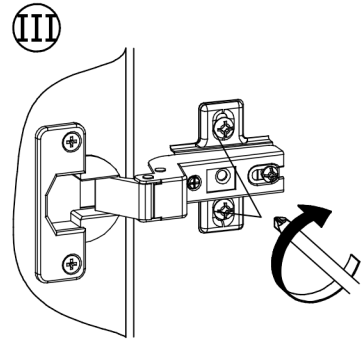
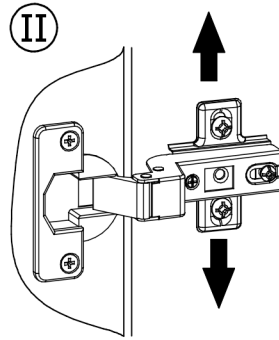
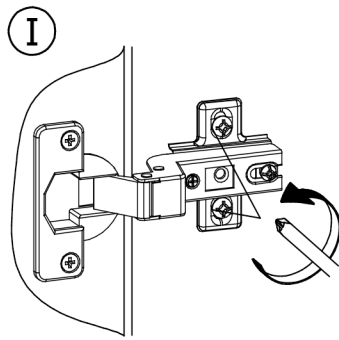
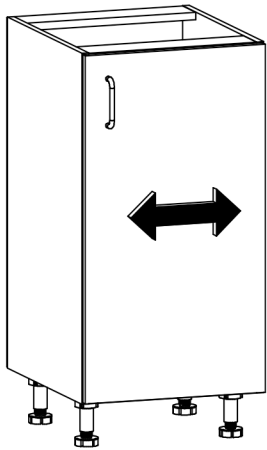
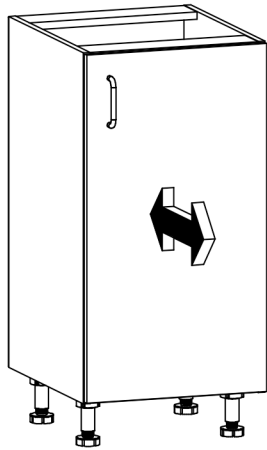
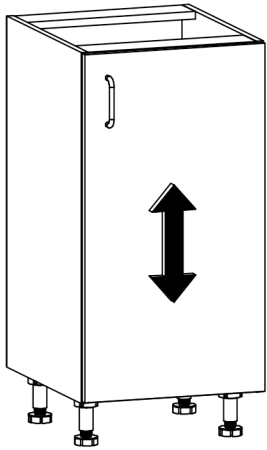
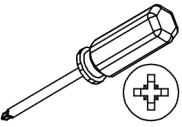
X x 2

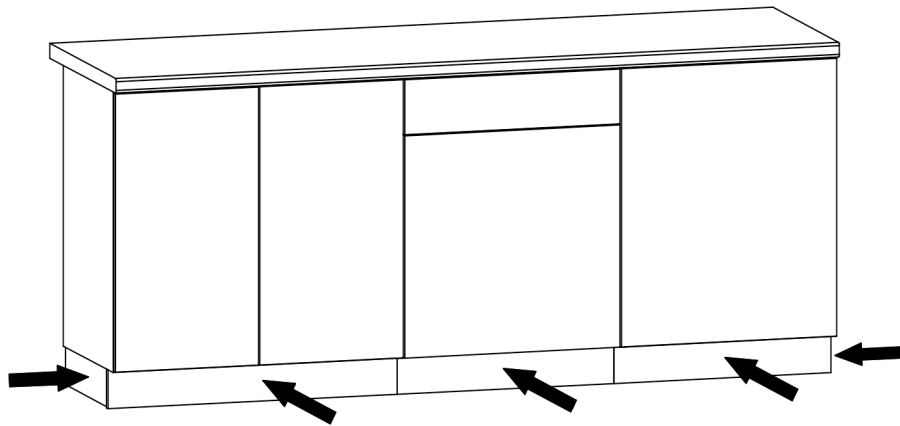
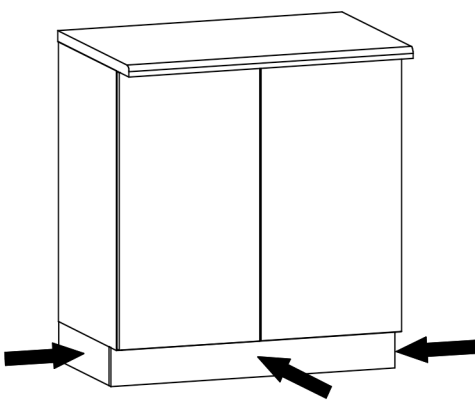
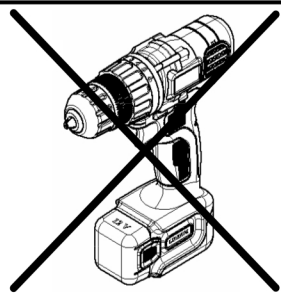
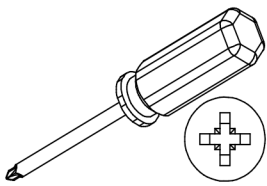


Zc1 x 2

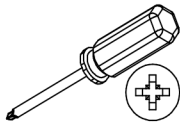


# 8

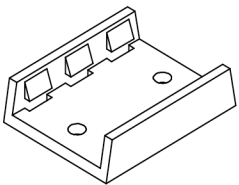




**C1**

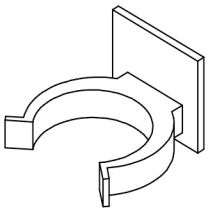


**L6-a**x4



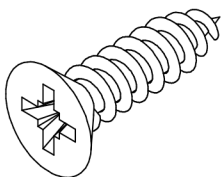
38x30x10mm

**L6-b**x4

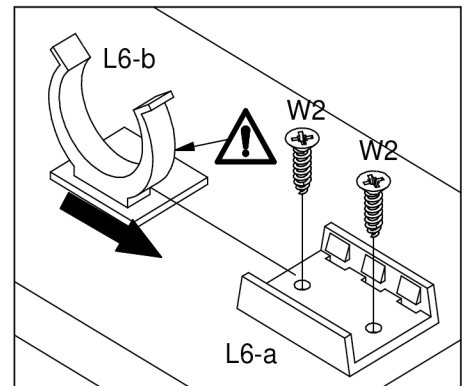
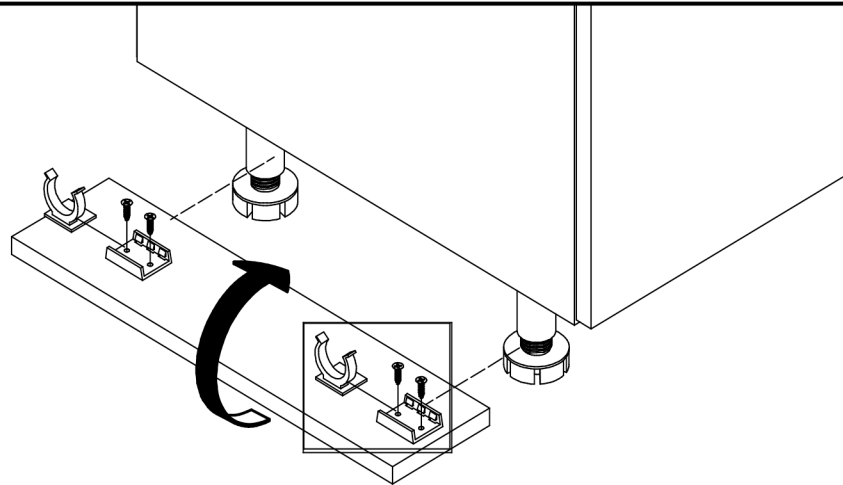


35x32x25mm

**W2**x8

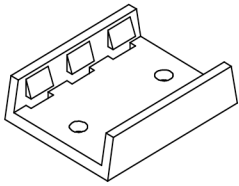


Ø3,5x16mm



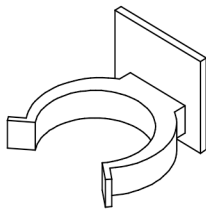
**C2**

**L6-a x 2**



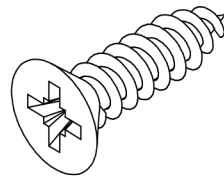
38x30x10mm

**L6-b x 2**



35x32x25mm

**W2 x 4**



Ø3,5x16mm

